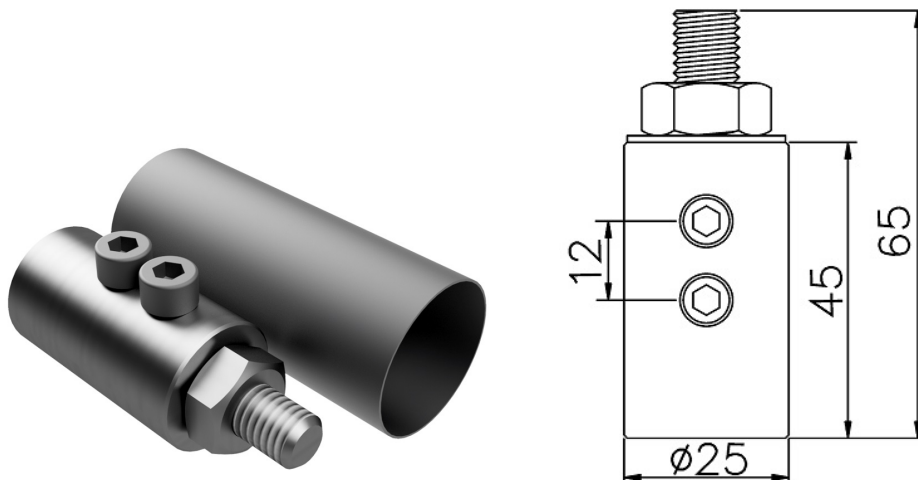


High voltage cable and accessories • HVC equipment

## Head for HVC with heat shrink tape (stainless steel) /INOX/

CATALOG NO. : **AH39013**



GTIN	5907675563852
Material	polyethylene, stainless steel
Bolt	2xM8x6
Screw / nut material	stainless steel
Band	28x100
Others	Dedicated product: high voltage cable (catalog number AH39200).

Due to continuous technical development, AH Hardt sp.j. reserves the right to introduce technical and technological changes of the products. The illustrations shown are not binding.