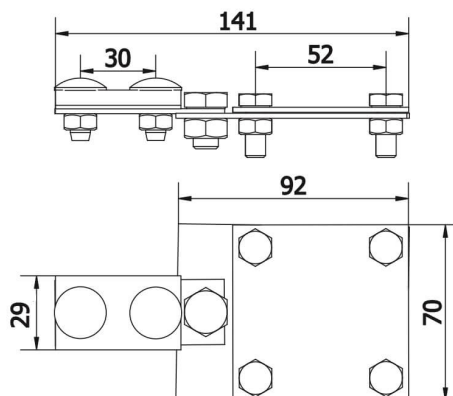
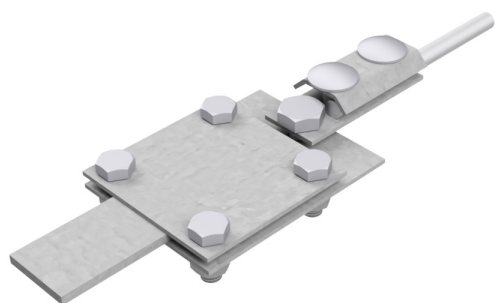


Connectors • Test connectors

## 4-hole test connector wire-tape B up to 40mm (hot-dip galvanized steel) /OG/

CATALOG NO. : AH0303OG



GTIN	5907675560127
Material	hot-dip galvanized steel
Round conductor/flat tape range [mm]:	Ø8/B up to 40
Bolt	4xM8x20; 1xM10x16; 2xM8x20
Screw / nut material	galvanized steel
Others	B- maximum tape width

Due to continuous technical development, AH Hardt sp.j. reserves the right to introduce technical and technological changes of the products. The illustrations shown are not binding.