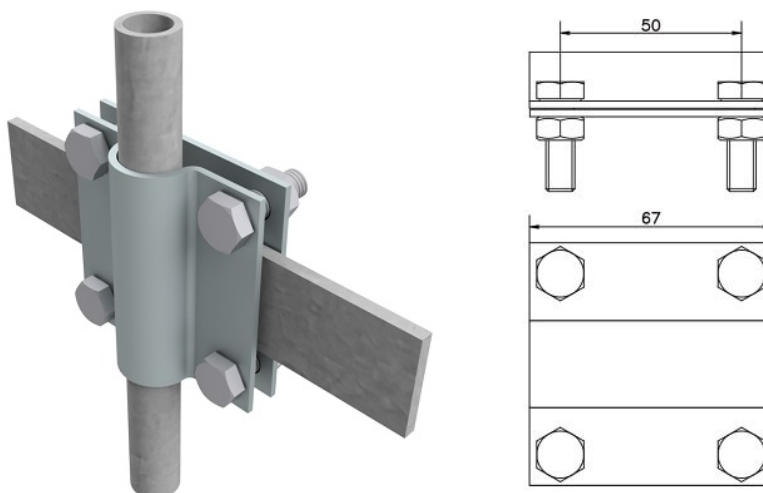


Earthings and earthing elements • Earthing connectors

## 2-plate earth connector rod-tape B up to 40mm Ø20mm (galvanized steel) /OC/

CATALOG NO. : AH01211



GTIN	5901832910350
Material	electro-galvanized steel
Round conductor/flat tape range [mm]:	Ø14-20/B up to 40
Bolt	4xM8x25
Screw / nut material	galvanized steel
Others	B- maximum tape width

Due to continuous technical development, AH Hardt sp.j. reserves the right to introduce technical and technological changes of the products. The illustrations shown are not binding.