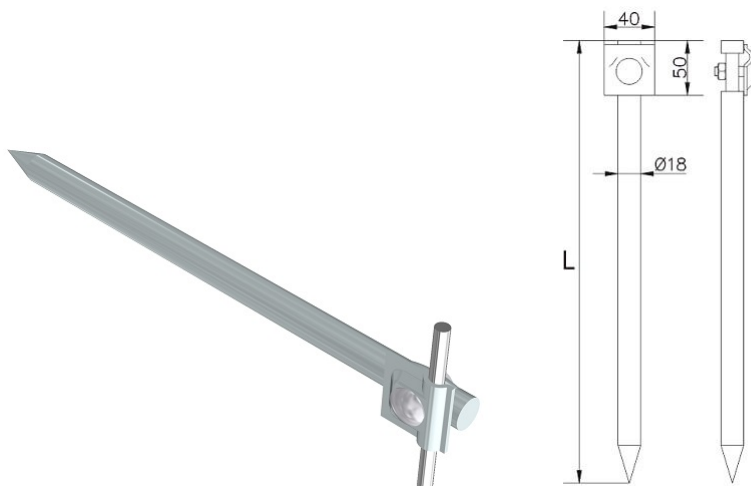


Anchors

Hammer in anchor with lock l=35cm (galvanized steel) /OC/

CATALOG NO. : AH15021



GTIN	5901832918363
Material	electro-galvanized steel
Round conductor/flat tape range [mm]:	Ø8-10
Bolt	1xM10x30
Screw / nut material	galvanized steel
Height / lenght [mm]	L=350

Due to continuous technical development, AH Hardt sp.j. reserves the right to introduce technical and technological changes of the products. The illustrations shown are not binding.