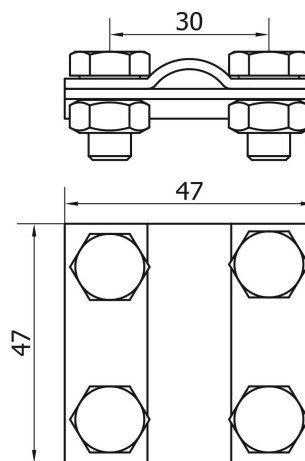
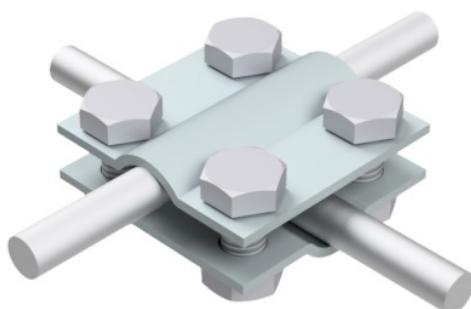


Connectors • Cross connectors

4-hole cross connector 2-plate (galvanized steel) /OC/

CATALOG NO. : AH01101



GTIN	5901832910244
Material	electro-galvanized steel
Round conductor/flat tape range [mm]:	Ø8
Bolt	4xM8x16
Screw / nut material	galvanized steel

Due to continuous technical development, AH Hardt sp.j. reserves the right to introduce technical and technological changes of the products. The illustrations shown are not binding.