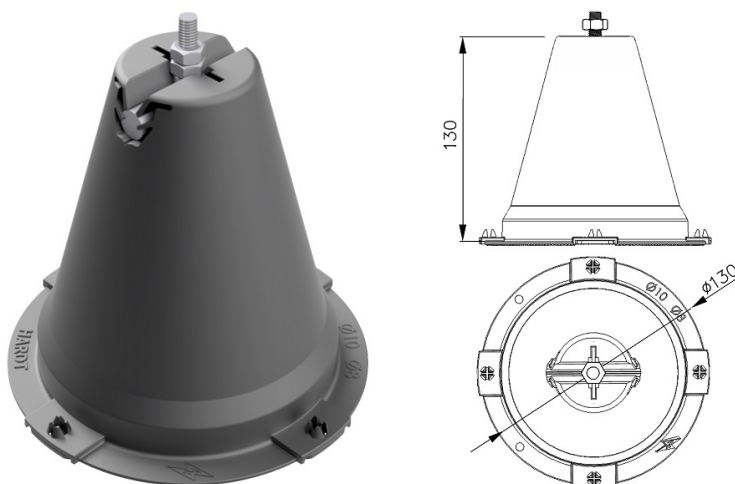


Other products

**Cable tray bracket M6 (galvanized steel / plastic) /OC/TW/**

CATALOG NO. : AH38541P



GTIN	5907675563791
Material	electro-galvanized steel, plastic
Weight [kg]	0,95-1,05
Others	holder compatible with AH12150 stand, concrete base in plastic and handle can be supplied separately

Due to continuous technical development, AH Hardt sp.j. reserves the right to introduce technical and technological changes of the products. The illustrations shown are not binding.