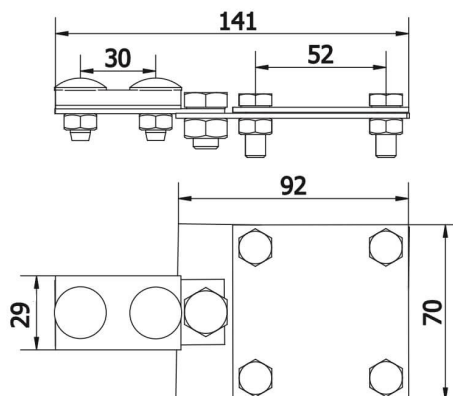
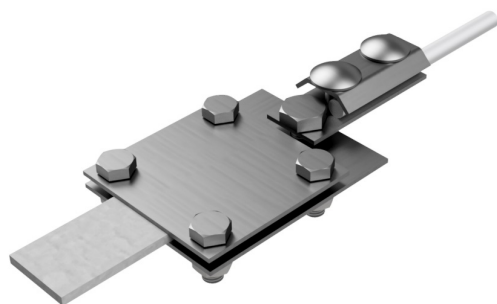


Test connectors

4-hole test connector wire-tape B up to 40mm (stainless steel) /IN/

CATALOG NO. : AH03033



GTIN	5901832911364
Material	stainless steel
Round conductor/flat tape range [mm]:	Ø8/B up to 40
Bolt	4xM8x20; 1xM10x16; 2xM8x20
Screw / nut material	stainless steel
Others	B- maximum tape width

Due to continuous technical development, AH Hardt sp.j. reserves the right to introduce technical and technological changes of the products. The illustrations shown are not binding.