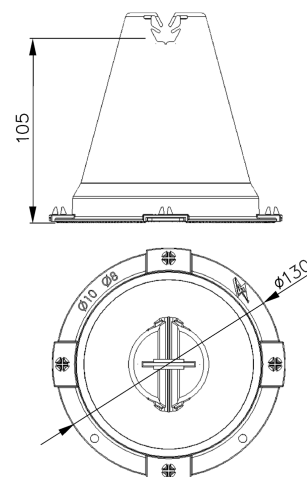


Concrete holders in plastic

## Concrete holder in plastic h=10,5cm (plastic) /TW/

CATALOG NO. : AH12140P



GTIN	5907675563463
Material	plastic, concrete
Round conductor/flat tape range [mm]:	Ø8-10
Height / lenght [mm]	105
Diameter [mm]	Ø130
Weight [kg]	~1
Others	warranty: up to 5 years; holder compatible with AH12150 stand

Due to continuous technical development, AH Hardt sp.j. reserves the right to introduce technical and technological changes of the products. The illustrations shown are not binding.