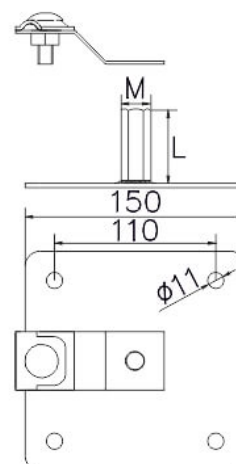
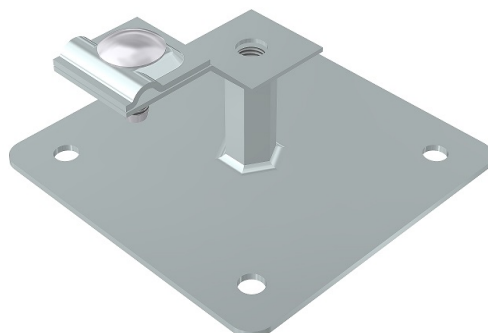


Air termination system • Fixings for vertical air terminals and accessories

## Vertical air terminal installation – sleeve M12 /OC/

CATALOG NO. : **AH41641**



GTIN	5906764388598
Material	electro-galvanized steel
Round conductor/flat tape range [mm]:	Ø8-10
Height / lenght [mm]	L=50
Diameter [mm]	Ø13
Thread	M12
Weight [kg]	0.8

Due to continuous technical development, AH Hardt sp.j. reserves the right to introduce technical and technological changes of the products. The illustrations shown are not binding.