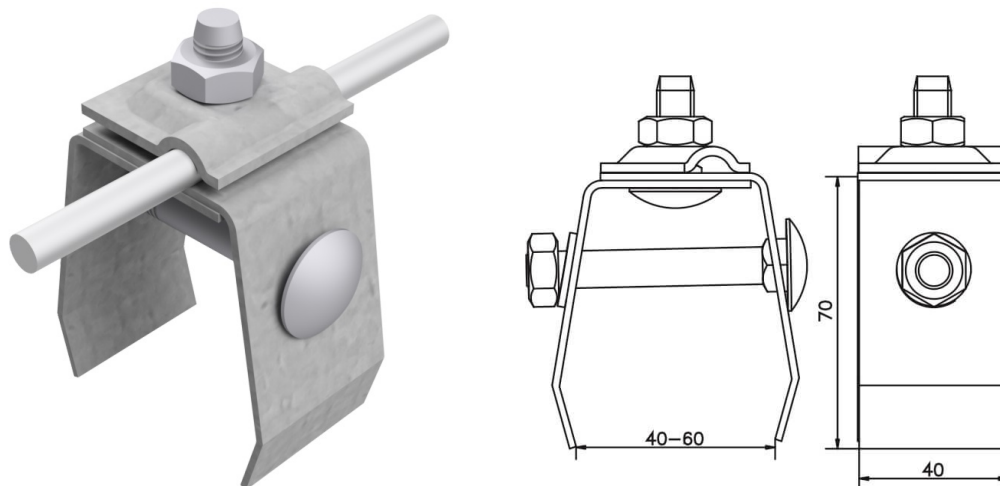


Holders for metal roof

Universal holder for structures(hot-dip galvanized steel) /OG/

CATALOG NO. : AH0808OG



GTIN	5907675560660
Material	hot-dip galvanized steel
Round conductor/flat tape range [mm]:	Ø8-10/B up to 40-60
Bolt	1xM10x30 1xM10x70
Screw / nut material	galvanized steel
Others	B- maximum tape width

Due to continuous technical development, AH Hardt sp.j. reserves the right to introduce technical and technological changes of the products. The illustrations shown are not binding.