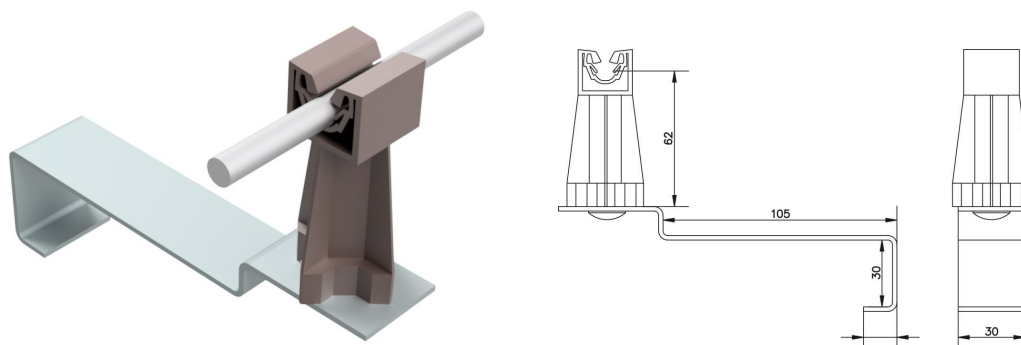


Lightning holders • Tile holders

Universal tile holder with brown post(plastic / galvanized steel) /TW/OC/

CATALOG NO. : **AH09331B**



GTIN	5907675562367
Material	electro-galvanized steel, plastic
Round conductor/flat tape range [mm]:	Ø8
Bolt	1xM6x10
Screw / nut material	galvanized steel
Height / length [mm]	62
Others	post color: brown

Due to continuous technical development, AH Hardt sp.j. reserves the right to introduce technical and technological changes of the products. The illustrations shown are not binding.