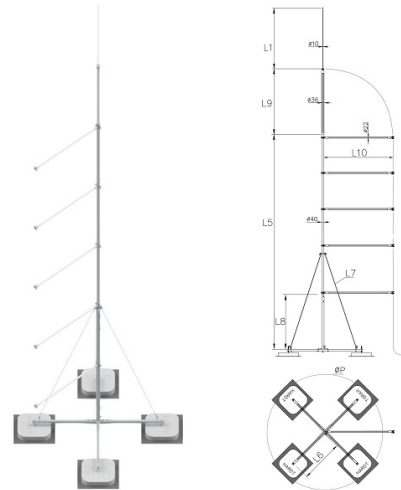


Air termination system • Insulated free-standing vertical air terminals

Insulated free-standing vertical air terminal with four-legged support h=7000mm

CATALOG NO. : **AH40481**



GTIN	5906764388963
Material	aluminum, fiberglass, galvanized steel, concrete, plastic
Round conductor/flat tape range [mm]:	Ø8-10
Height / lenght [mm]	7000
Diameter [mm]	Ø10-48
Installation diameter [mm]	1930
L1/L2/L3/L4/L5/L6/L7/L8/L9/L10/L11/L12 [mm]	1000/.../.../4000/750/3000/2000/1000/1000/.../...
Wind zone	up to 950 m above sea level – maximum wind speed 30 m/s
Side insulator [pcs]	5
Concrete weight [kg]	4x24
Weight [kg]	130.8

Due to continuous technical development, AH Hardt sp.j. reserves the right to introduce technical and technological changes of the products. The illustrations shown are not binding.