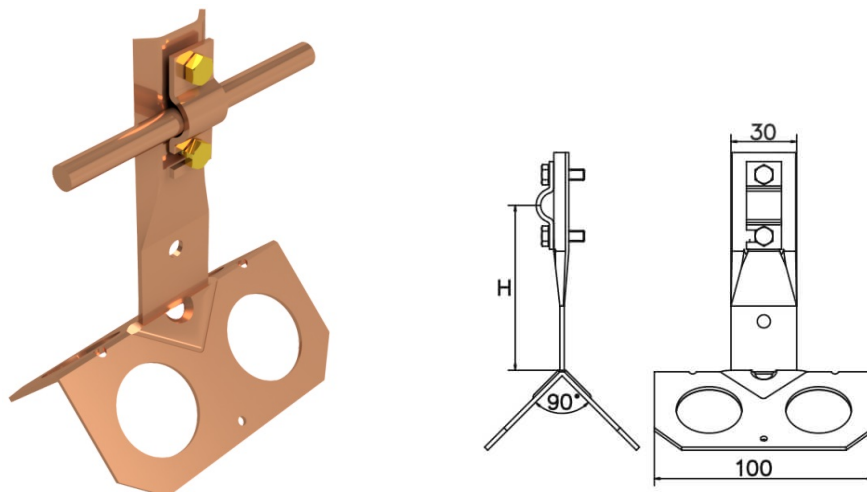


Lightning holders • Top holders

Top holder screwed h=8cm (cooper) /CU/

CATALOG NO. : AH21072



GTIN	5906764383999
Material	copper
Round conductor/flat tape range [mm]:	Ø8-10
Bolt	2xM5x16
Screw / nut material	brass
Height / lenght [mm]	H=80

Due to continuous technical development, AH Hardt sp.j. reserves the right to introduce technical and technological changes of the products. The illustrations shown are not binding.