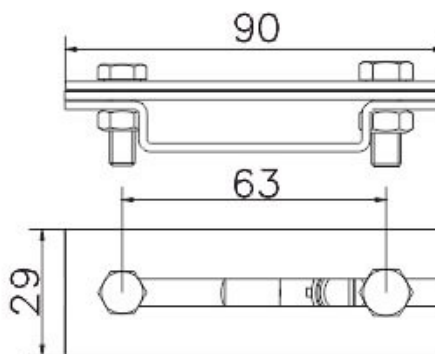
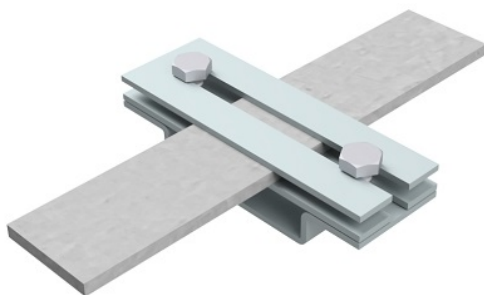


Earthings and earthing elements • Tape holder

tape holder 3-plate B up to 50mm (galvanized steel) /OC/

CATALOG NO. : AH26051



GTIN	5901832919674
Material	electro-galvanized steel
Round conductor/flat tape range [mm]:	B up to 50
Bolt	2xM6x20
Screw / nut material	galvanized steel
Others	B- maximum tape width

Due to continuous technical development, AH Hardt sp.j. reserves the right to introduce technical and technological changes of the products. The illustrations shown are not binding.