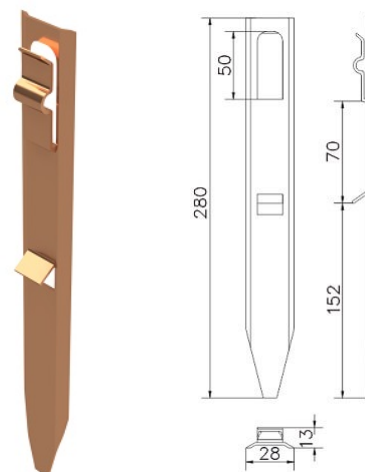


Earthings and earthing elements • Tape holder

## Steel foundation tape holder (cooper) /CU/

CATALOG NO. : AH17012



GTIN	5906764384200
Material	copper
Round conductor/flat tape range [mm]:	Ø8-10/B up to 30
Others	B- maximum tape width

Due to continuous technical development, AH Hardt sp.j. reserves the right to introduce technical and technological changes of the products. The illustrations shown are not binding.