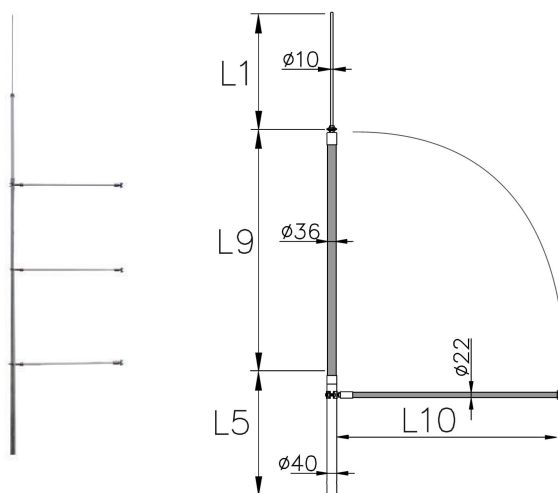


Air termination system • Wall/structure-mounted vertical air terminals

Wall/structure-mounted insulated vertical air terminal h=2000mm

CATALOG NO. : AH41101



GTIN	5906764388987
Material	aluminum, fiberglass, galvanized steel
Round conductor/flat tape range [mm]:	Ø8-10
Height / length [mm]	2000
Diameter [mm]	Ø10-40
L1/L2/L3/L4/L5/L6/L7/L8/L9/L10/L11/L12 [mm]	500/.../.../.../500/.../.../.../1000/1000/.../...
Wind zone	up to 950 m above sea level – maximum wind speed 30 m/s
Side insulator [pcs]	1
Weight [kg]	3.95

Due to continuous technical development, AH Hardt sp.j. reserves the right to introduce technical and technological changes of the products. The illustrations shown are not binding.