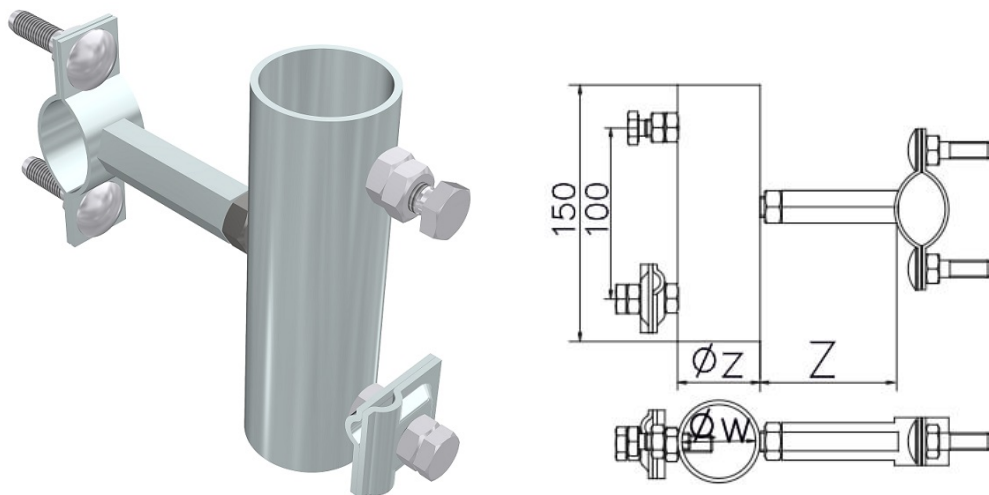


Air termination system • Fixings for vertical air terminals and accessories

Vertical air terminal attachment to railing/pipe Ø30-45mm-pipe Ø60mm /OC/

CATALOG NO. : AH51211



GTIN	5907675563081
Material	electro-galvanized steel
Round conductor/flat tape range [mm]:	Ø8-10
Diameter [mm]	Øw=52; Øz=60
Weight [kg]	1.6
Others	Z=60+90mm

Due to continuous technical development, AH Hardt sp.j. reserves the right to introduce technical and technological changes of the products. The illustrations shown are not binding.