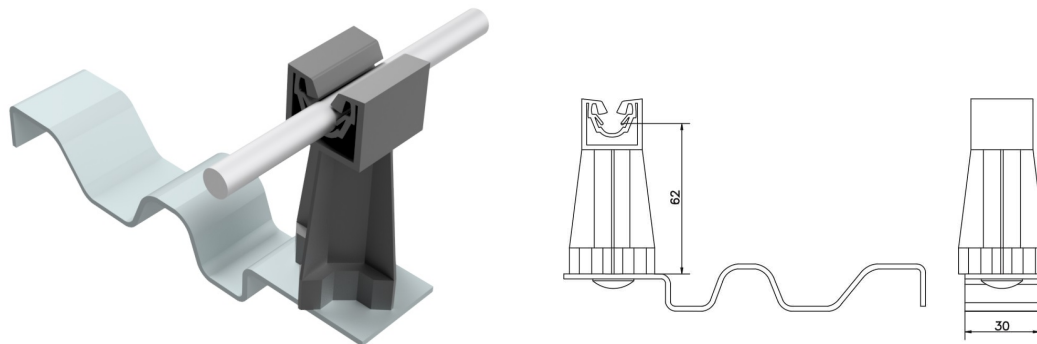


Lightning holders • Tile holders

## Profiled tile holder with black post (plastic / galvanized steel) /TW/OC/

CATALOG NO. : AH09341A



GTIN	5907675562237
Material	electro-galvanized steel, plastic
Round conductor/flat tape range [mm]:	Ø8
Bolt	1xM6x10
Screw / nut material	galvanized steel
Height / lenght [mm]	62
Others	Bendable handle (before galvanizing) on the basis of a tile provided by the customer. This solution greatly improves the aesthetics of the installation and facilitates assembly; post color: black

Due to continuous technical development, AH Hardt sp.j. reserves the right to introduce technical and technological changes of the products. The illustrations shown are not binding.