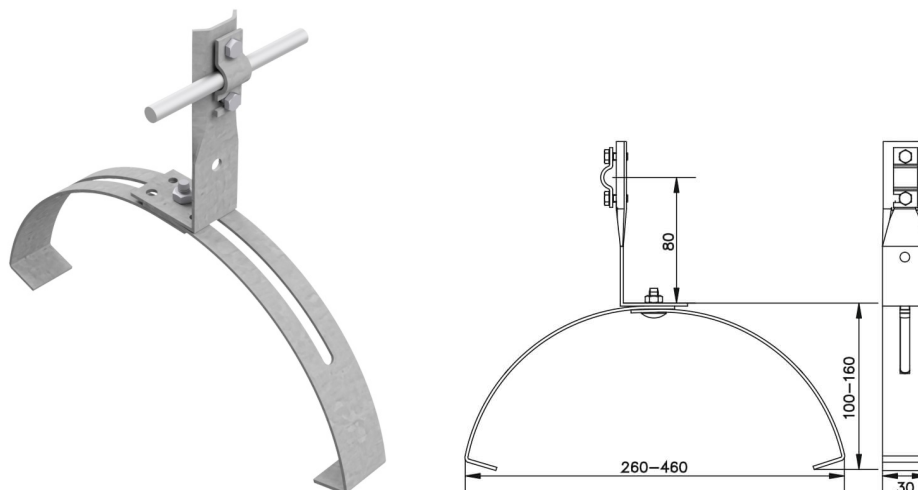


Lightning holders • Holders for ridge tiles

Universal ridge tile holder screwed (hot-dip galvanized steel) /OG/

CATALOG NO. : AH0433OG



GTIN	5907675560226
Material	hot-dip galvanized steel
Round conductor/flat tape range [mm]:	Ø8-10
Bolt	2xM5x16 1xM6x30
Screw / nut material	galvanized steel
Height / lenght [mm]	80

Due to continuous technical development, AH Hardt sp.j. reserves the right to introduce technical and technological changes of the products. The illustrations shown are not binding.