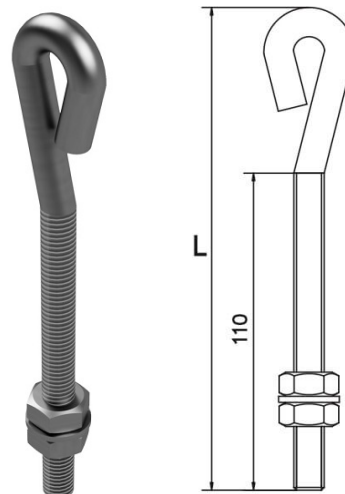


Lightning holders • Tension holders

Tension holder loop l=25cm (stainless steel) /IN/

CATALOG NO. : **AH13023**



GTIN	5901832918196
Material	stainless steel
Round conductor/flat tape range [mm]:	Ø8-10
Bolt	M10x110
Screw / nut material	stainless steel
Height / length [mm]	L=250

Due to continuous technical development, AH Hardt sp.j. reserves the right to introduce technical and technological changes of the products. The illustrations shown are not binding.