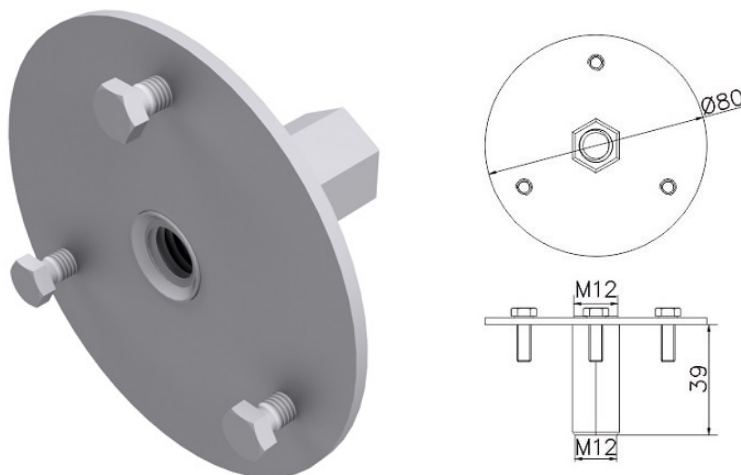


Earthings and earthing elements • Components mounted in the building's reinforcement

## Ground connection Ø80mm (stainless steel) /IN/

CATALOG NO. : AH32033



GTIN	5906764380035
Material	stainless steel
Bolt	3xM5x16
Screw / nut material	stainless steel

Due to continuous technical development, AH Hardt sp.j. reserves the right to introduce technical and technological changes of the products. The illustrations shown are not binding.