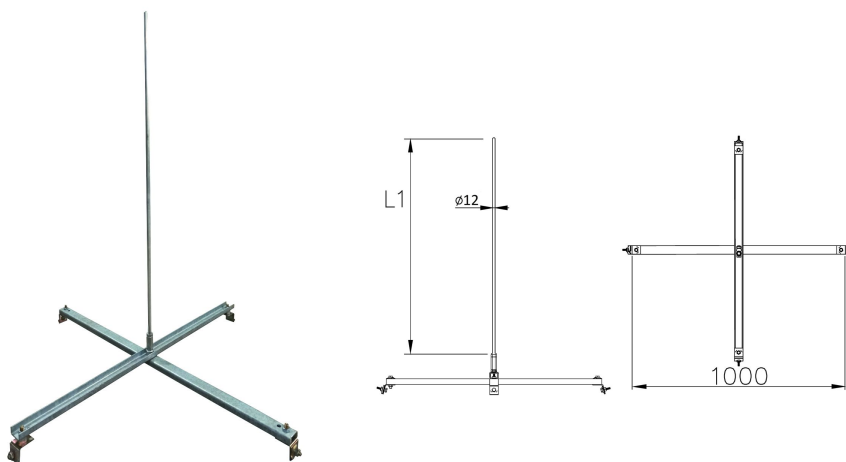


Air termination system • Wall/structure-mounted vertical air terminals

## Vertical air terminal fixed to the double standing seam h=2000mm /OC/AL/

CATALOG NO. : AH41221



|   |   |
|---|---|
| GTIN  | 5906764389113   |
| Material                                    | aluminum, electro-galvanized steel                      |
| Round conductor/flat tape range [mm]:       | Ø8-10   |
| Height / lenght [mm]                        | 2000  |
| Diameter [mm]                               | Ø12   |
| L1/L2/L3/L4/L5/L6/L7/L8/L9/L10/L11/L12 [mm] | .../2000/.../.../.../.../.../.../.../.../.../.../...    |
| Wind zone                                   | up tu 950 m above sea level – maximum wind speed 30 m/s |
| Weight [kg]                                 | 4.4   |

Due to continuous technical development, AH Hardt sp.j. reserves the right to introduce technical and technological changes of the products. The illustrations shown are not binding.