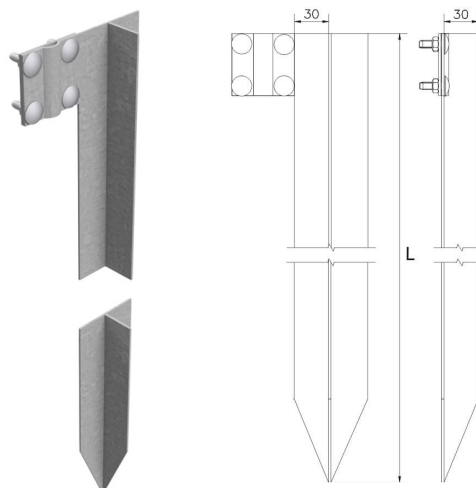


Earthings

Uniform earthing "T" l=2000mm (hot-dip galvanized steel) /OG/

CATALOG NO. : AH14301



GTIN	5906764380349
Material	hot-dip galvanized steel
Round conductor/flat tape range [mm]:	B up to 30
Bolt	4xM8x25
Screw / nut material	galvanized steel
Height / length [mm]	2000
Weight [kg]	3.8

Due to continuous technical development, AH Hardt sp.j. reserves the right to introduce technical and technological changes of the products. The illustrations shown are not binding.