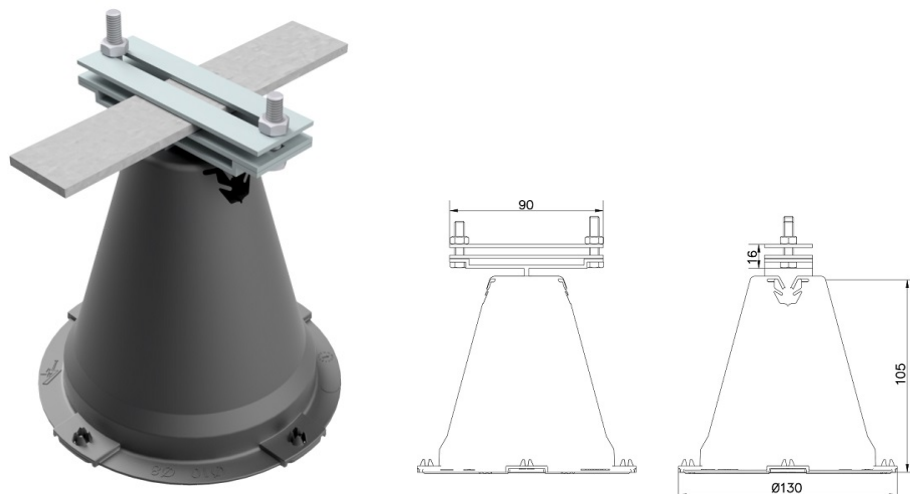


Concrete holders in plastic

Concrete tape holder horizontally B up to 50 mm (plastic / hot-dip galvanized steel) /TW/OG/

CATALOG NO. : AH1226OGP



GTIN	5907675563593
Material	hot-dip galvanized steel, plastic
Round conductor/flat tape range [mm]:	B up to 50
Bolt	2xM6x20
Screw / nut material	galvanized steel
Diameter [mm]	Ø130
Weight [kg]	~1
Others	holder compatible with AH12150 stand, concrete base in plastic and handle can be supplied separately

Due to continuous technical development, AH Hardt sp.j. reserves the right to introduce technical and technological changes of the products. The illustrations shown are not binding.