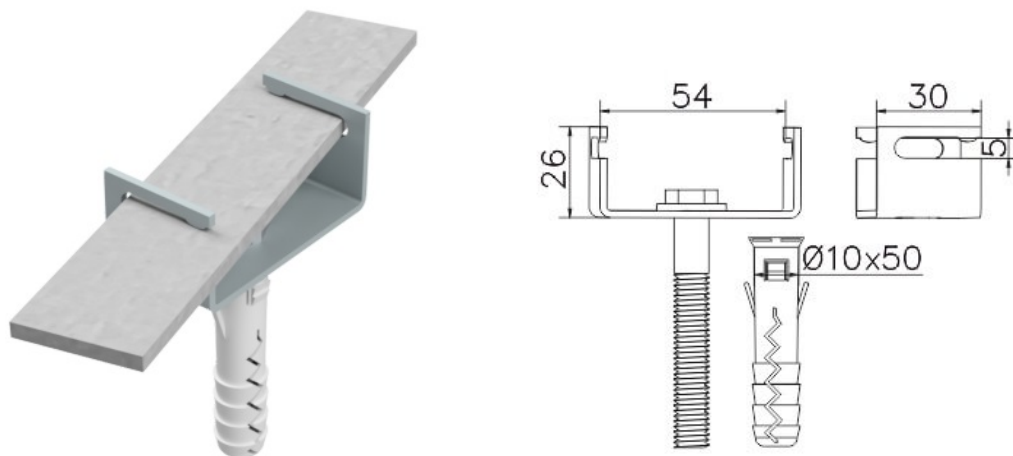


Earthings and earthing elements • Tape holder

tape holder with wall plug B up to 50mm (galvanized steel) /OC/

CATALOG NO. : AH26021



GTIN	5901832919643
Material	electro-galvanized steel
Round conductor/flat tape range [mm]:	B up to 50
Screw / nut material	galvanized steel
Others	B- maximum tape width, pin Ø10x50mm

Due to continuous technical development, AH Hardt sp.j. reserves the right to introduce technical and technological changes of the products. The illustrations shown are not binding.