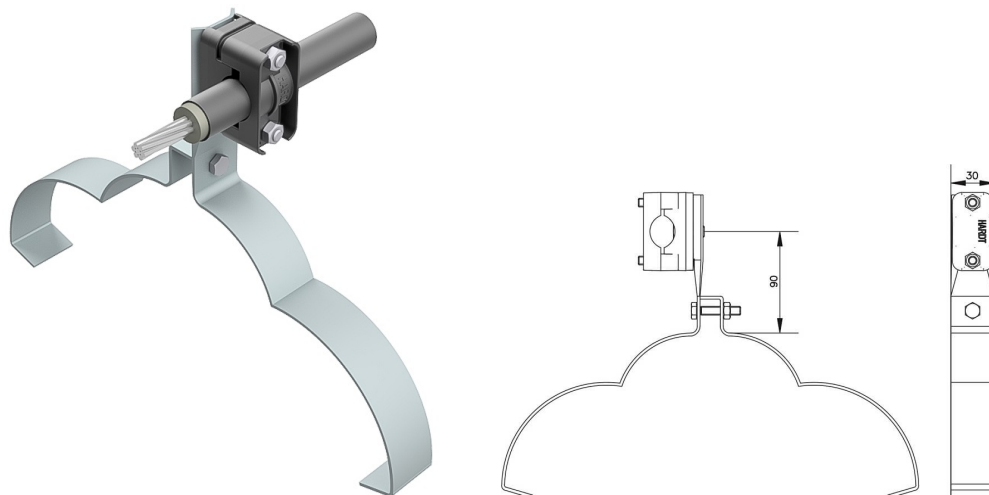


High voltage cable and accessories • HVC handles

## Profiled ridge tile bracket for HVC(galvanized steel) /OC/

CATALOG NO. : **AH39061**



GTIN	5907675563173
Material	plastic, electro-galvanized steel
Round conductor/flat tape range [mm]:	Ø17-23
Bolt	1xM8x16; 3xM6x30;
Screw / nut material	galvanized steel
Others	Bend handle (before galvanizing) based on a ridge tile provided by the customer. This solution greatly improves the installation's aesthetics and makes assembly easier. Handle for self-assembly.

Due to continuous technical development, AH Hardt sp.j. reserves the right to introduce technical and technological changes of the products. The illustrations shown are not binding.