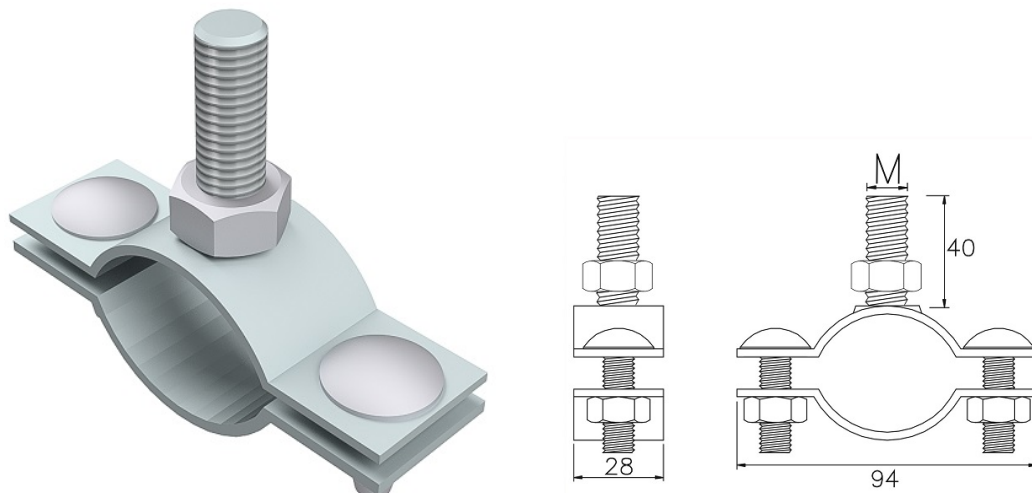


Brackets and connectors

2-hole threaded connector Ø30-45mm M10 (galvanized steel) /OC/

CATALOG NO. : AH28401M10



GTIN	5907675563418
Material	electro-galvanized steel
Round conductor/flat tape range [mm]:	Ø30-45
Bolt	2xM8x25
Screw / nut material	galvanized steel
Thread	M10

Due to continuous technical development, AH Hardt sp.j. reserves the right to introduce technical and technological changes of the products. The illustrations shown are not binding.