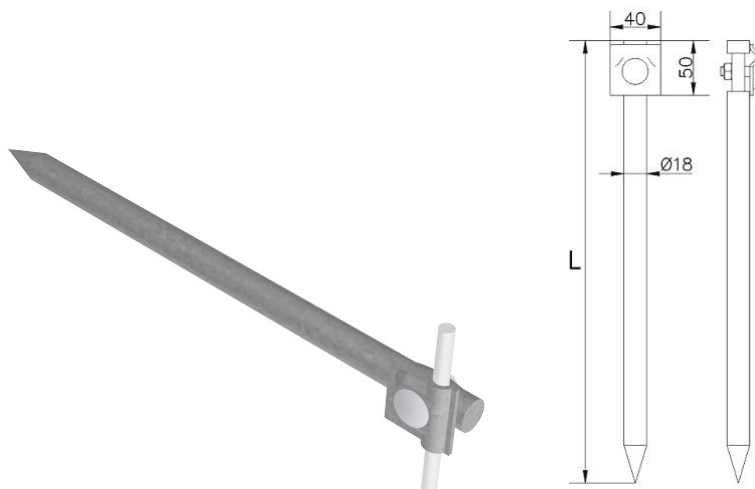


Lightning holders • Anchors

Hammer in anchor with lock l=50cm (hot-dip galvanized steel) /OG/

CATALOG NO. : AH1505OG



GTIN	5907675561223
Material	hot-dip galvanized steel
Round conductor/flat tape range [mm]:	Ø8-10
Bolt	1xM10x30
Screw / nut material	galvanized steel
Height / lenght [mm]	L=500

Due to continuous technical development, AH Hardt sp.j. reserves the right to introduce technical and technological changes of the products. The illustrations shown are not binding.