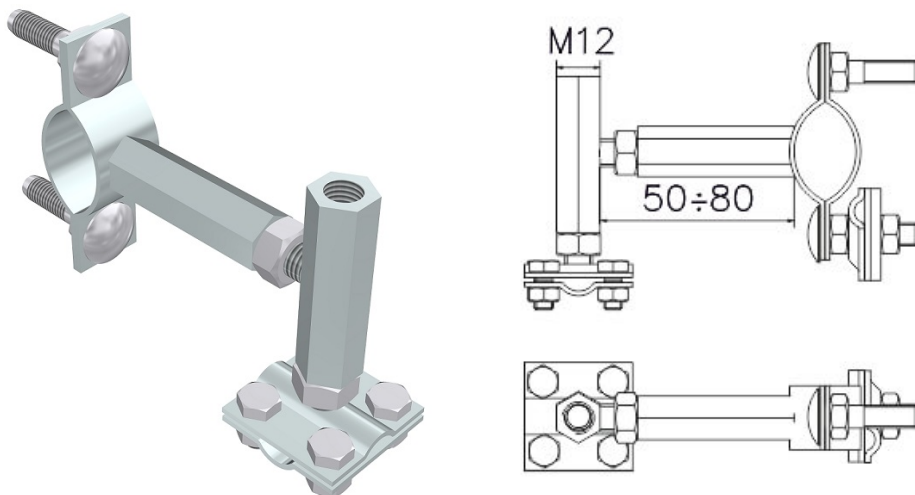


Air termination system • Fixings for vertical air terminals and accessories

## Vertical air terminal attachment to railing/pipe Ø30-45 mm – sleeve M12 /OC/

CATALOG NO. : AH41661



GTIN	5906764388611
Material	electro-galvanized steel
Round conductor/flat tape range [mm]:	Ø8-10/B up to 20
Thread	M12
Weight [kg]	0.7
Others	Fastening the mast to the railing or pipe with a diameter of 30-45mm.

Due to continuous technical development, AH Hardt sp.j. reserves the right to introduce technical and technological changes of the products. The illustrations shown are not binding.