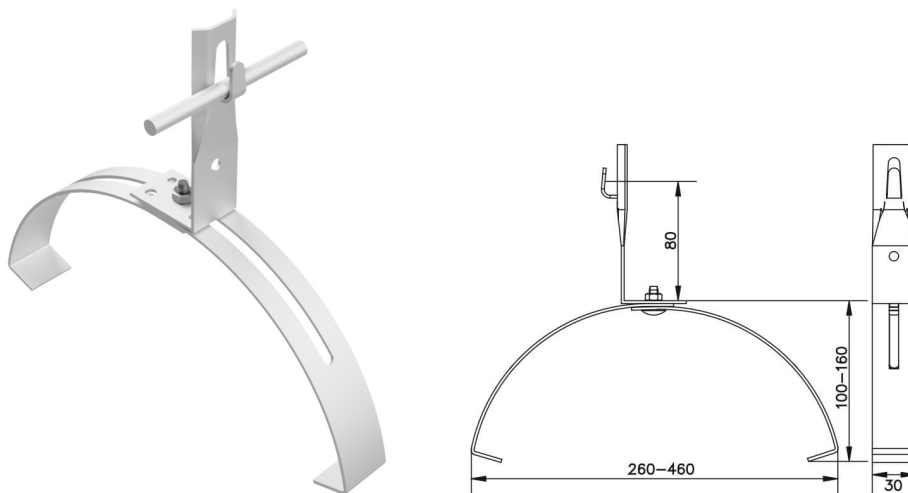


Holders for ridge tiles

## Universal ridge tile holder (aluminum) /AL/

CATALOG NO. : AH04324



GTIN	5901832912408
Material	aluminum
Round conductor/flat tape range [mm]:	Ø8-10
Bolt	1xM6x30
Screw / nut material	stainless steel
Height / lenght [mm]	80

Due to continuous technical development, AH Hardt sp.j. reserves the right to introduce technical and technological changes of the products. The illustrations shown are not binding.