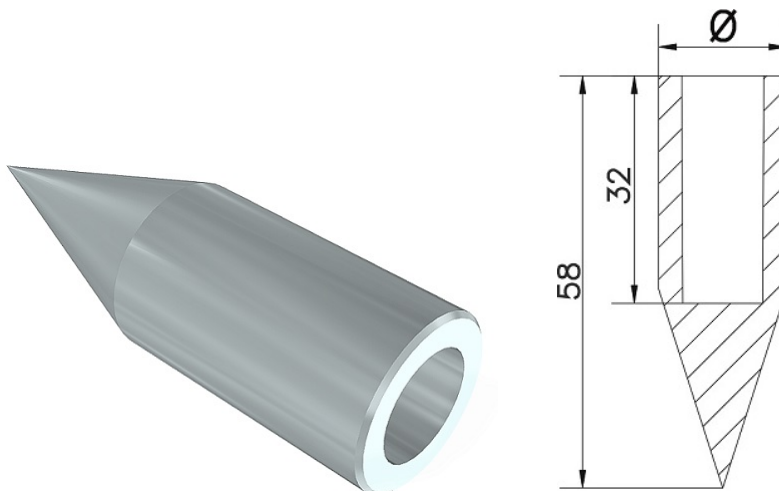


Earthings and earthing elements • Tips, mallets, connections

## Hard soil tip Ø14 (galvanized steel) /OC/

CATALOG NO. : AH060003OC



GTIN	5907675565290
Material	electro-galvanized steel
Diameter [mm]	Ø14
Others	dedicated for AH HARDT earth electrodes Ø14

Due to continuous technical development, AH Hardt sp.j. reserves the right to introduce technical and technological changes of the products. The illustrations shown are not binding.