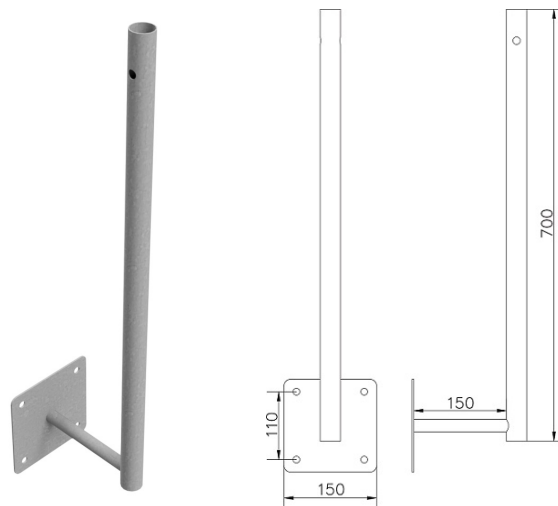


Lightning holders • Anchors

Tension holder (hot-dip galvanized steel) /OG/

CATALOG NO. : **AH1517OG**



GTIN	5907675561315
Material	hot-dip galvanized steel
Round conductor/flat tape range [mm]:	Ø8-10

Due to continuous technical development, AH Hardt sp.j. reserves the right to introduce technical and technological changes of the products. The illustrations shown are not binding.