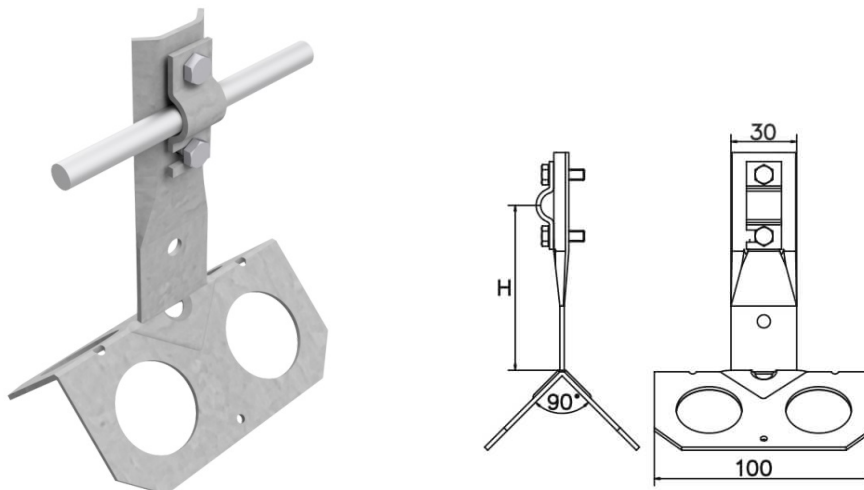


Lightning holders • Top holders

## Top holder screwed h=10cm (hot-dip galvanized steel) /OG/

CATALOG NO. : AH2108OG



GTIN	5907675561599
Material	hot-dip galvanized steel
Round conductor/flat tape range [mm]:	Ø8-10
Bolt	2xM5x16
Screw / nut material	galvanized steel
Height / lenght [mm]	H=100

Due to continuous technical development, AH Hardt sp.j. reserves the right to introduce technical and technological changes of the products. The illustrations shown are not binding.