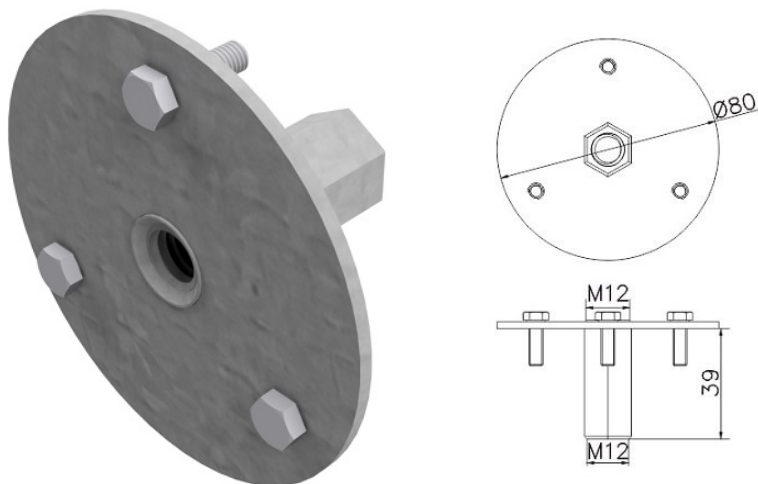


Earthings and earthing elements • Components mounted in the building's reinforcement

Ground connection Ø80mm (hot-dip galvanized steel) /OG/

CATALOG NO. : AH3203OG



GTIN	5907675561476
Material	hot-dip galvanized steel
Bolt	3xM5x16
Screw / nut material	galvanized steel

Due to continuous technical development, AH Hardt sp.j. reserves the right to introduce technical and technological changes of the products. The illustrations shown are not binding.