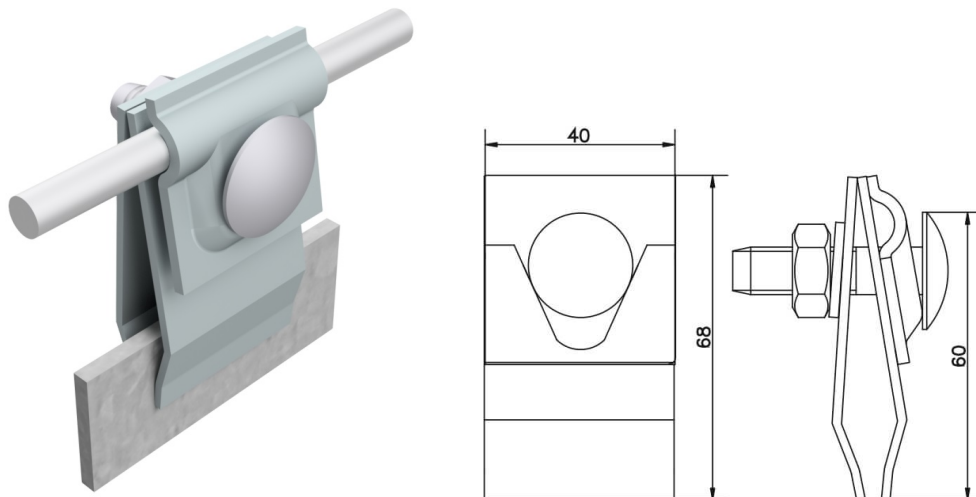


Lightning holders • Holders for metal roof

Sheet metal holder (galvanized steel) /OC/

CATALOG NO. : **AH08061**



GTIN	5901832915355
Material	electro-galvanized steel
Round conductor/flat tape range [mm]:	Ø8-10
Bolt	1xM10x40
Screw / nut material	galvanized steel

Due to continuous technical development, AH Hardt sp.j. reserves the right to introduce technical and technological changes of the products. The illustrations shown are not binding.