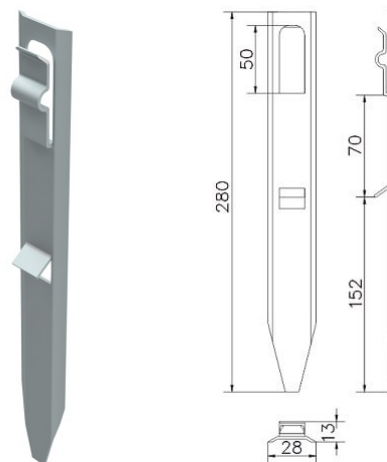


Earthings and earthing elements • Tape holder

Steel foundation tape holder(galvanized steel) /OC/

CATALOG NO. : AH17011



GTIN	5906764384187
Material	electro-galvanized steel
Round conductor/flat tape range [mm]:	Ø8-10/B up to 30
Others	B- maximum tape width

Due to continuous technical development, AH Hardt sp.j. reserves the right to introduce technical and technological changes of the products. The illustrations shown are not binding.