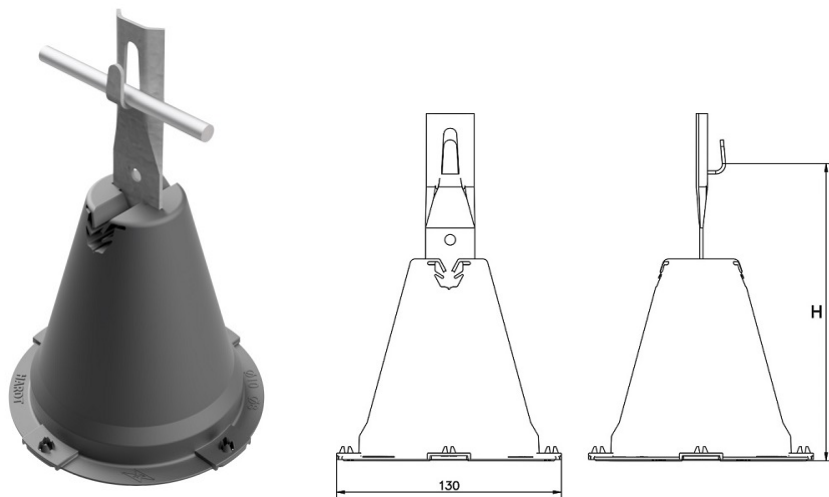


Lightning holders • Concrete holders in plastic

Concrete holder in plastic h=19cm (plastic / hot-dip galvanized steel) /TW/OG/

CATALOG NO. : AH1220OGP



GTIN	5907675563470
Material	hot-dip galvanized steel, plastic
Round conductor/flat tape range [mm]:	Ø8-10
Height / lenght [mm]	H=190
Diameter [mm]	Ø130
Weight [kg]	~1
Others	holder compatible with AH12150 stand, concrete base in plastic and handle can be supplied separately

Due to continuous technical development, AH Hardt sp.j. reserves the right to introduce technical and technological changes of the products. The illustrations shown are not binding.