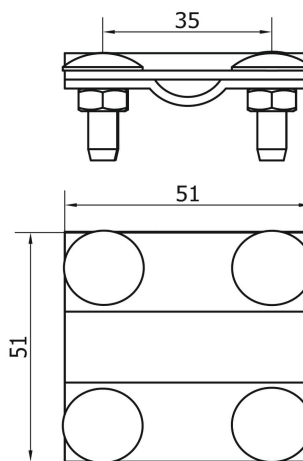
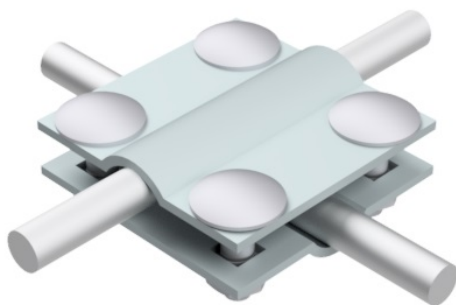


Cross connectors

4-hole cross connector 2-plate B up to 30mm (galvanized steel) /OC/

CATALOG NO. : AH01031



GTIN	5901832910190
Material	electro-galvanized steel
Round conductor/flat tape range [mm]:	Ø8/B up to 30
Bolt	4xM6x20
Screw / nut material	galvanized steel
Others	B- maximum tape width

Due to continuous technical development, AH Hardt sp.j. reserves the right to introduce technical and technological changes of the products. The illustrations shown are not binding.