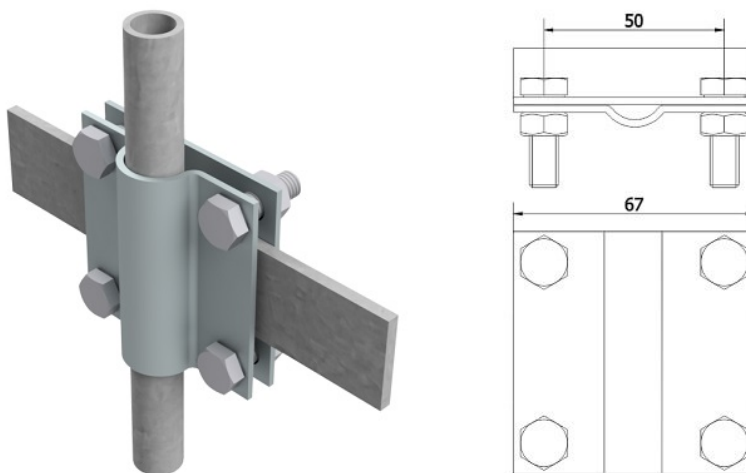


Earthing connectors

2-plate earth connector rod-wire B up to 40mm Ø20mm (galvanized steel) /OC/

CATALOG NO. : AH01221



GTIN	5901832910367
Material	electro-galvanized steel
Round conductor/flat tape range [mm]:	Ø8-10; Ø14-20/B up to 40
Bolt	4xM8x25
Screw / nut material	galvanized steel
Others	B- maximum tape width

Due to continuous technical development, AH Hardt sp.j. reserves the right to introduce technical and technological changes of the products. The illustrations shown are not binding.