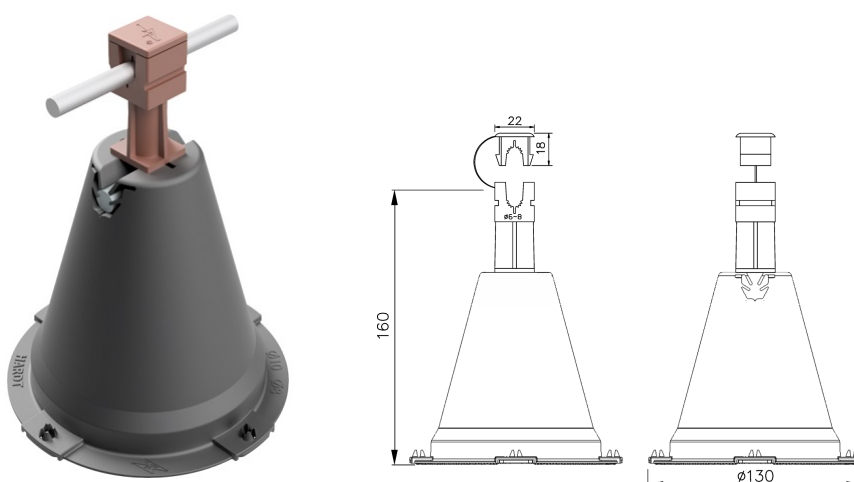


Lightning holders • Concrete holders in plastic

Concrete holder in plastic with posth=10,5cm brick red (plastic) /TW/

CATALOG NO. : AH12190PC



GTIN	5907675562701
Material	plastic
Round conductor/flat tape range [mm]:	Ø8
Bolt	1xM6x10
Screw / nut material	galvanized steel
Height / length [mm]	160
Diameter [mm]	Ø130
Weight [kg]	~1
Others	post color: brick red; holder compatible with AH12150 stand, concrete base in plastic and handle can be supplied separately

Due to continuous technical development, AH Hardt sp.j. reserves the right to introduce technical and technological changes of the products. The illustrations shown are not binding.