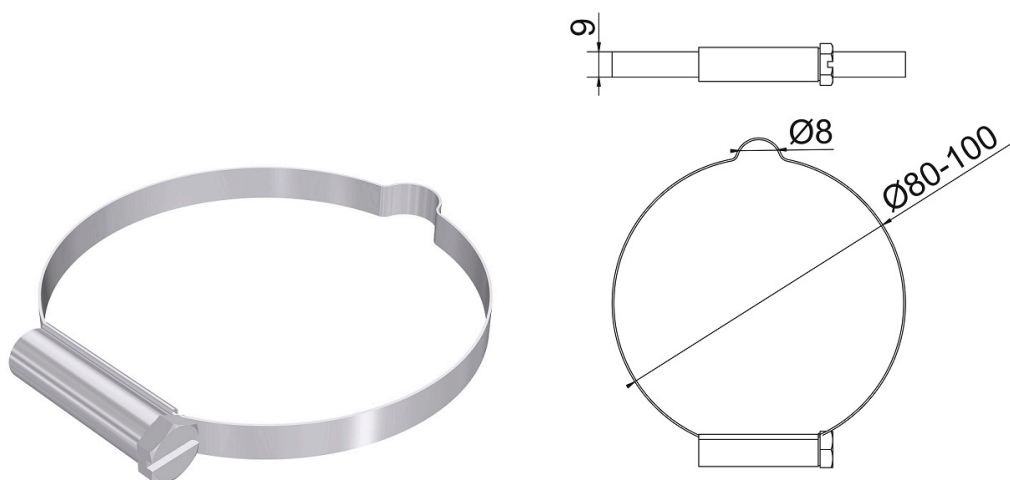


Lightning holders • Universal pipe holders

pipe clamp Ø80-100 (acid-resistant stainless steel) /IN/

CATALOG NO. : AH020009IN



GTIN	5907675565214
Material	acid-resistant stainless steel
Round conductor/flat tape range [mm]:	Ø8
Diameter [mm]	Ø80-100

Due to continuous technical development, AH Hardt sp.j. reserves the right to introduce technical and technological changes of the products. The illustrations shown are not binding.