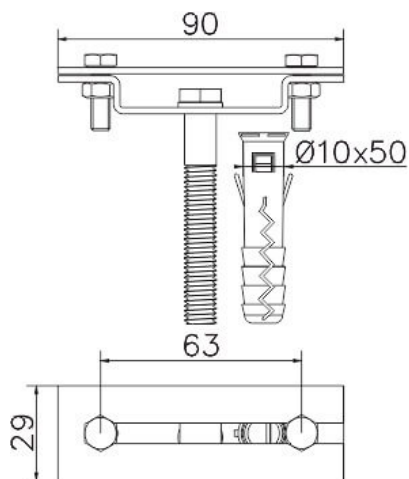
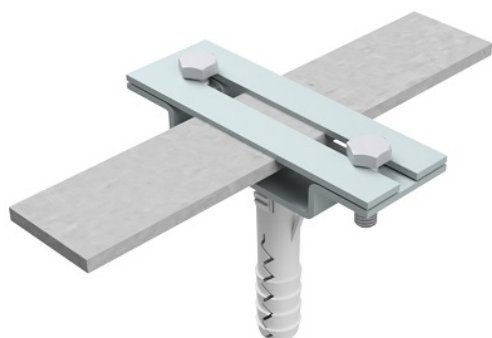


Earthings and earthing elements • Tape holder

tape holder with wall plug 2-plate B up to 50mm (galvanized steel) /OC/

CATALOG NO. : AH26041



GTIN	5901832919667
Material	electro-galvanized steel
Round conductor/flat tape range [mm]:	B up to 50
Bolt	2xM6x20
Screw / nut material	galvanized steel
Others	B- maximum tape width; dedicated product : sleeve Ø12x60mm (cat No AH29050)

Due to continuous technical development, AH Hardt sp.j. reserves the right to introduce technical and technological changes of the products. The illustrations shown are not binding.