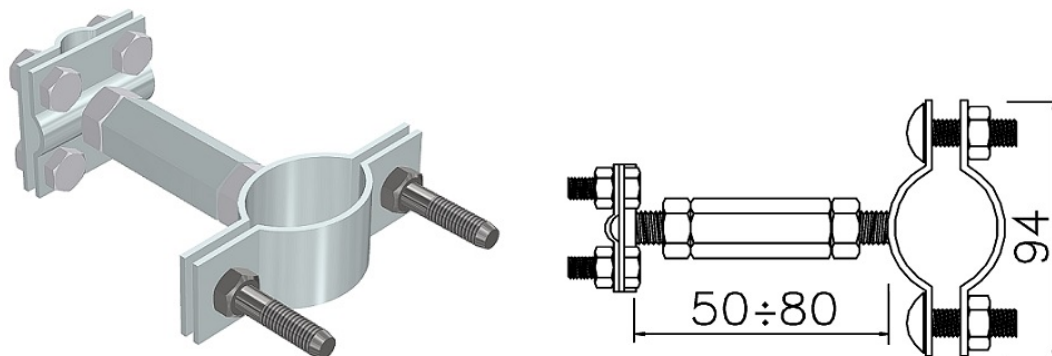


Air termination system

Wire holder for railing/pipe $\varnothing 30-45$ mm B up to 20mm (galvanized steel) /OC/

CATALOG NO. : AH41681



GTIN	5907675562763
Material	electro-galvanized steel
Round conductor/flat tape range [mm]:	$\varnothing 8-10/B$ up to 20
Bolt	4xM8x16; 2xM8x25
Screw / nut material	galvanized steel
Diameter [mm]	$\varnothing 30-45$

Due to continuous technical development, AH Hardt sp.j. reserves the right to introduce technical and technological changes of the products. The illustrations shown are not binding.