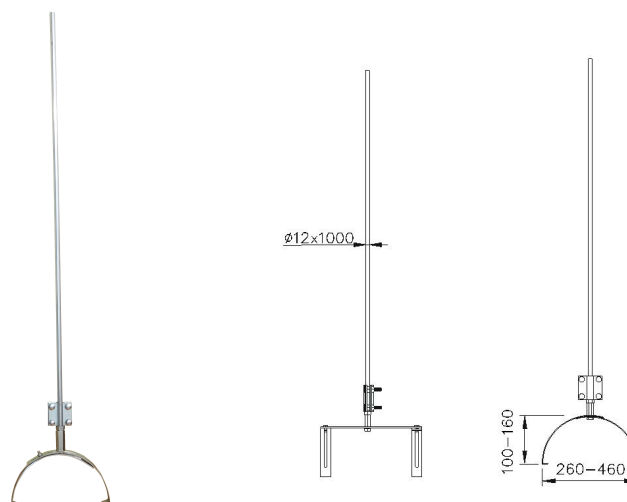


Air termination system • Wall/structure-mounted vertical air terminals

Ridge tile vertical air terminal h=1000mm /OC/AL/

CATALOG NO. : AH41331



GTIN	5906764389182
Material	aluminum, electro-galvanized steel
Round conductor/flat tape range [mm]:	Ø8-10
Height / length [mm]	1000
Diameter [mm]	Ø12
L1/L2/L3/L4/L5/L6/L7/L8/L9/L10/L11/L12 [mm]	.../1000/.../.../.../.../.../.../.../.../.../.../...
Wind zone	up to 950 m above sea level – maximum wind speed 30 m/s
Weight [kg]	1.6
Others	number of ridge tile handles: 2

Due to continuous technical development, AH Hardt sp.j. reserves the right to introduce technical and technological changes of the products. The illustrations shown are not binding.