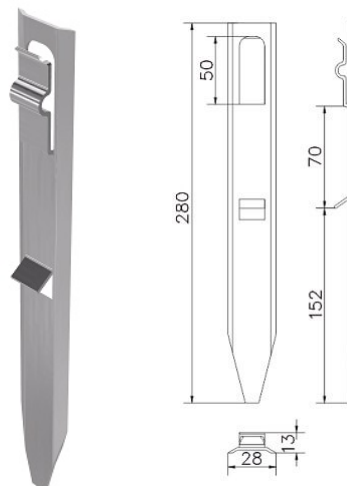


Earthings and earthing elements • Tape holder

Steel foundation tape holder (stainless steel) /IN/

CATALOG NO. : **AH17013**



GTIN	5906764384217
Material	stainless steel
Round conductor/flat tape range [mm]:	Ø8-10/B up to 30
Others	B- maximum tape width

Due to continuous technical development, AH Hardt sp.j. reserves the right to introduce technical and technological changes of the products. The illustrations shown are not binding.