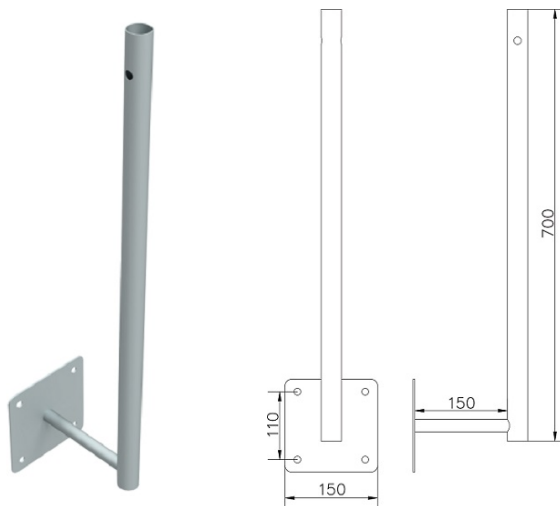


Lightning holders • Anchors

Tension holder (galvanized steel) /OC/

CATALOG NO. : **AH15171**



GTIN	5906764383593
Material	electro-galvanized steel
Round conductor/flat tape range [mm]:	Ø8-10

Due to continuous technical development, AH Hardt sp.j. reserves the right to introduce technical and technological changes of the products. The illustrations shown are not binding.