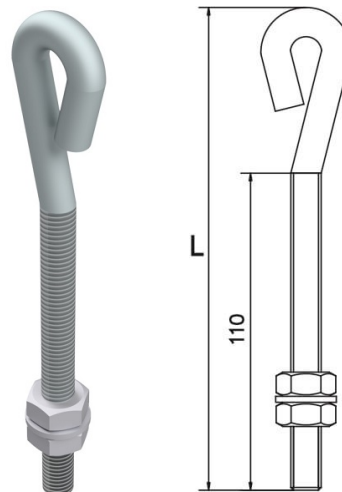


Tension holders

## Tension holder loop l=16cm (galvanized steel) /OC/

CATALOG NO. : **AH13011**



GTIN	5901832918097
Material	electro-galvanized steel
Round conductor/flat tape range [mm]:	Ø8-10
Bolt	M10x110
Screw / nut material	galvanized steel
Height / length [mm]	L=160

Due to continuous technical development, AH Hardt sp.j. reserves the right to introduce technical and technological changes of the products. The illustrations shown are not binding.